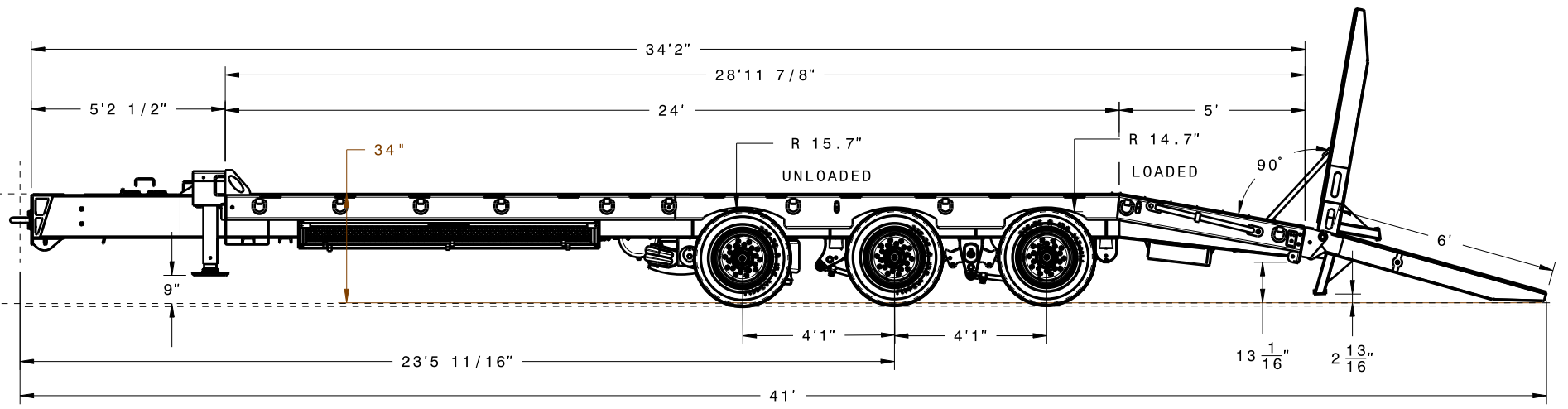
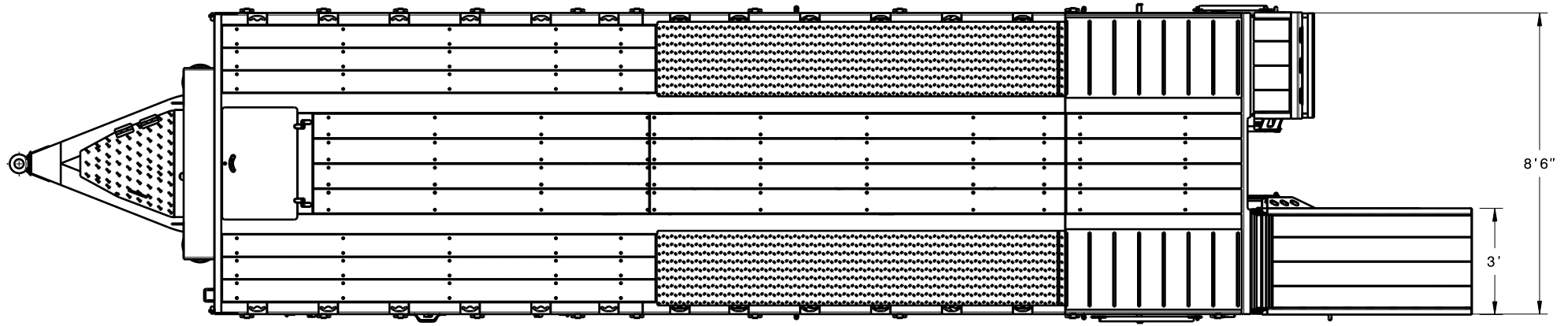


F E D C B A



DRAWN:		DATE:		ALL DIMENSIONS ARE IN INCHES UNLESS OTHERWISE SPECIFIED		MATERIAL:		WEIGHT:		GLOBE TRAILERS TITLE: 210908-25 TON (GTBN 303-35-24)_H		PARENTS:		DWG NO.		REV.		SHEET	
STRESS:		08-18-2021		TOLERANCES UNLESS OTHERWISE SPECIFIED:		FINISH:		0 lb				*****		00881324		A.1		1/4	
CHECKED:				FRACTIONAL= +/- 1/64		GAGE CODE:						SCALE: 1/35		SIZE: B					
APPROVED:		BY		DATE		X.XX=+/-0.01				THIS DRAWING IS INTENDED FOR REVIEW AND OR AUTHORIZATION PURPOSES ONLY AND MAY NOT BE DISCLOSED, REPRODUCED OR USED WITHOUT THE EXPRESS PERMISSION OF GLOBE TRAILERS									
A.1				08-18-2021		X.XXX=+/-0.005													
REV.		DESCRIPTION		BY		DATE		ANGLE=+/-0.5°											

F A