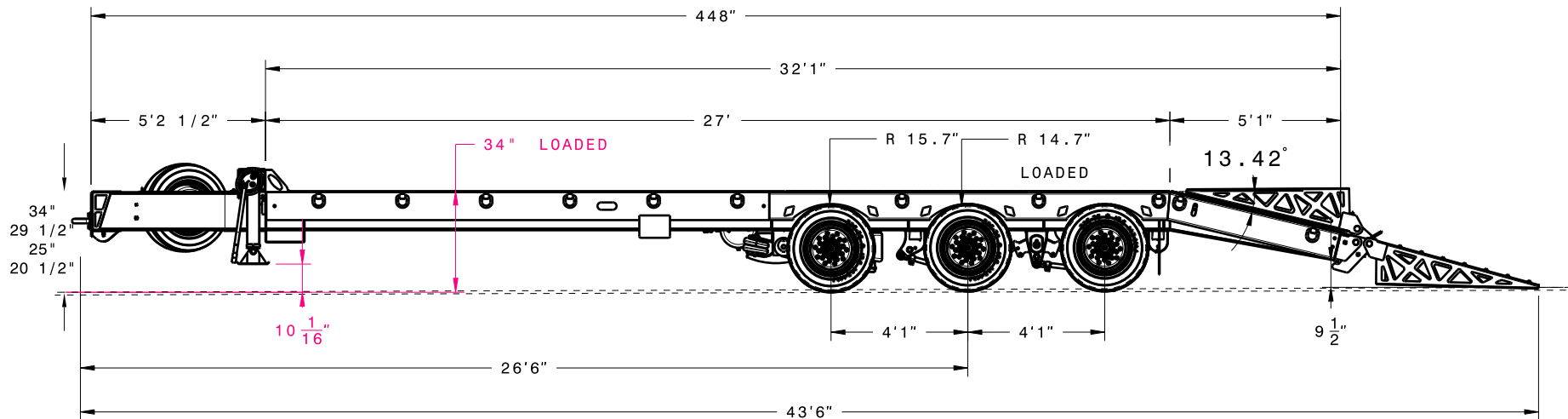


8'6"



34" LOADED

R 15.7"

R 14.7"

LOADED

13.42°

10 1/16"

34"  
29 1/2"  
25"  
20 1/2"

|                     |  |            |  |   |           |             |                                 |         |                |  |  |  |
|---------------------|--|------------|--|---|-----------|-------------|---------------------------------|---------|----------------|--|--|--|
| DRAWN:              |  | DATE:      |  | ALL DIMENSIONS ARE IN INCHES UNLESS OTHERWISE SPECIFIED<br>TOLERANCES UNLESS OTHERWISE SPECIFIED:<br>FRACTIONAL= +/-1/64<br>X.X=+/-0.1<br>X.XX=+/-0.01<br>X.XXX=+/-0.005<br>ANGLE=+/-0.5° | MATERIAL: |             | WEIGHT:                         |         | GLOBE TRAILERS | TITLE:   |  |  |
|                     |  | 05-27-2021 |  |   | 0 lb      |             | 210468 30 TON (GTTU303-37-27)_H |         |                |  |  |  |
| STRESS:             |  |            |  |   | FINISH:   |             | PARENTS:                        |         |                |  |  |  |
| CHECKED:            |  |            |  |   |           |             | 210468                          |         |                |  |  |  |
| APPROVED:           |  |            |  | GAGE CODE:  |           | SCALE: 1/40 |                                 | SIZE: B |                | THIS DRAWING IS INTENDED FOR REVIEW AND OR AUTHORIZATION PURPOSES ONLY AND MAY NOT BE DISCLOSED, REPRODUCED OR USED WITHOUT THE EXPRESS PERMISSION OF GLOBE TRAILERS |  |  |
| A.1 INITIAL RELEASE |  | 05-27-2021 |  |   |           |             |                                 |         |                | REV. SHEET   |  |  |
| REV. DESCRIPTION    |  | BY DATE    |  |   |           |             |                                 |         |                | 00840352 A.1 1/4   |  |  |

F A