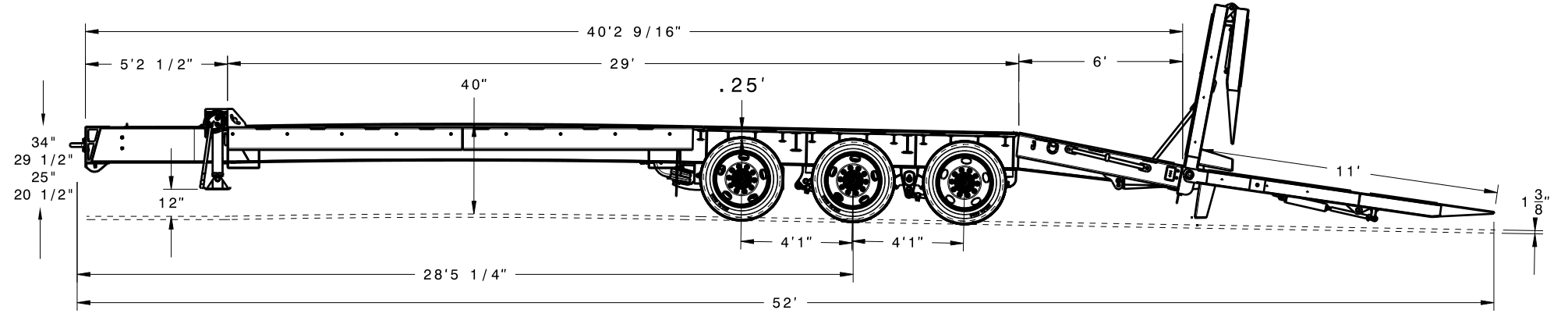
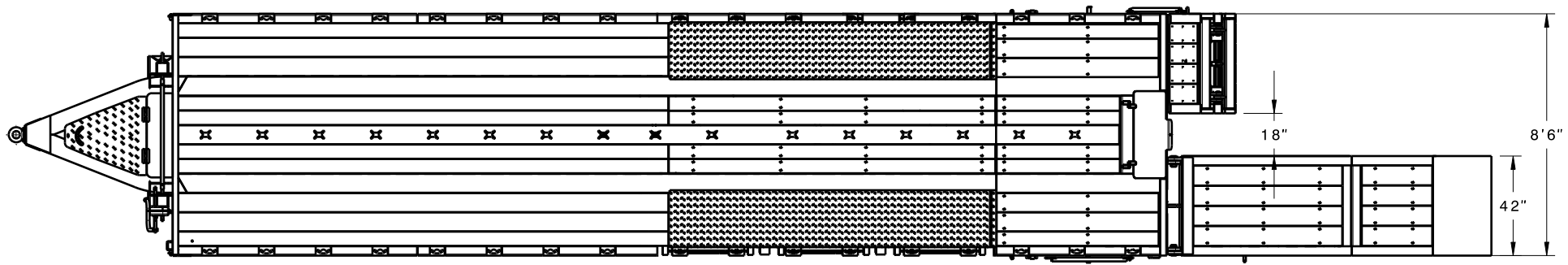


F E D C B A



DRAWN:		DATE:		ALL DIMENSIONS ARE IN INCHES UNLESS OTHERWISE SPECIFIED TOLERANCES UNLESS OTHERWISE SPECIFIED: FRACTIONAL= +/- 1/64 X.X=+/-0.1 X.XX=+/-0.01 X.XXX=+/-0.005 ANGLE=+/-0.5°	MATERIAL:		WEIGHT:		GLOBE TRAILERS TITLE: 200908- 30 TON (GTTU303-40-28)_H PARENTS: 200908 THIS DRAWING IS INTENDED FOR REVIEW AND OR AUTHORIZATION PURPOSES ONLY AND MAY NOT BE DISCLOSED, REPRODUCED OR USED WITHOUT THE EXPRESS PERMISSION OF GLOBE TRAILERS	DWG NO.		REV.		SHEET	
STRESS:		12/22/2020			0 lb		00735389			A.1		1/4			
CHECKED:		12/22/2020			FINISH:		1/45			B					
APPROVED:					GAGE CODE:		SCALE:			SIZE:					
REV.	DESCRIPTION	BY	DATE												

F A