

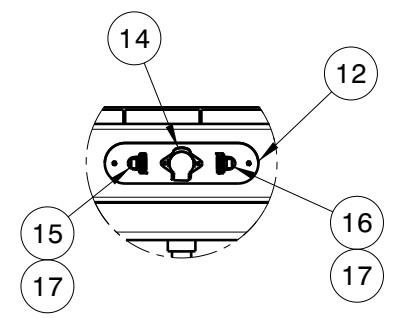
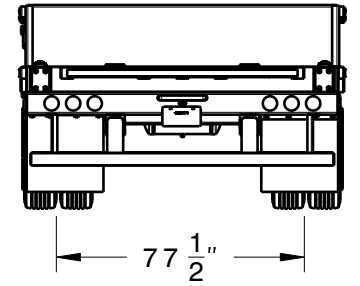
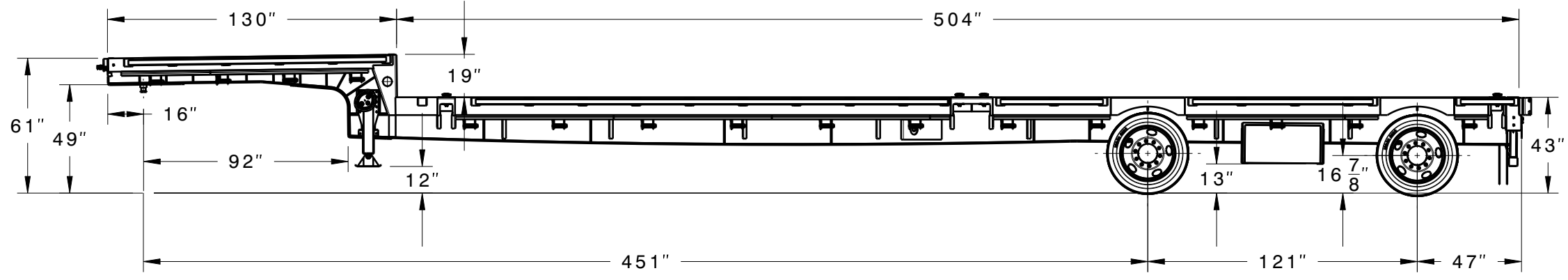
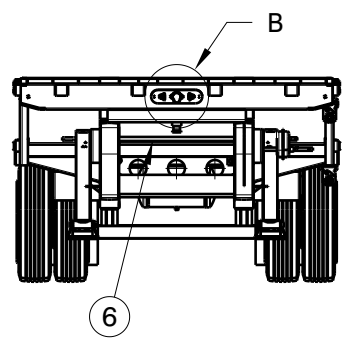
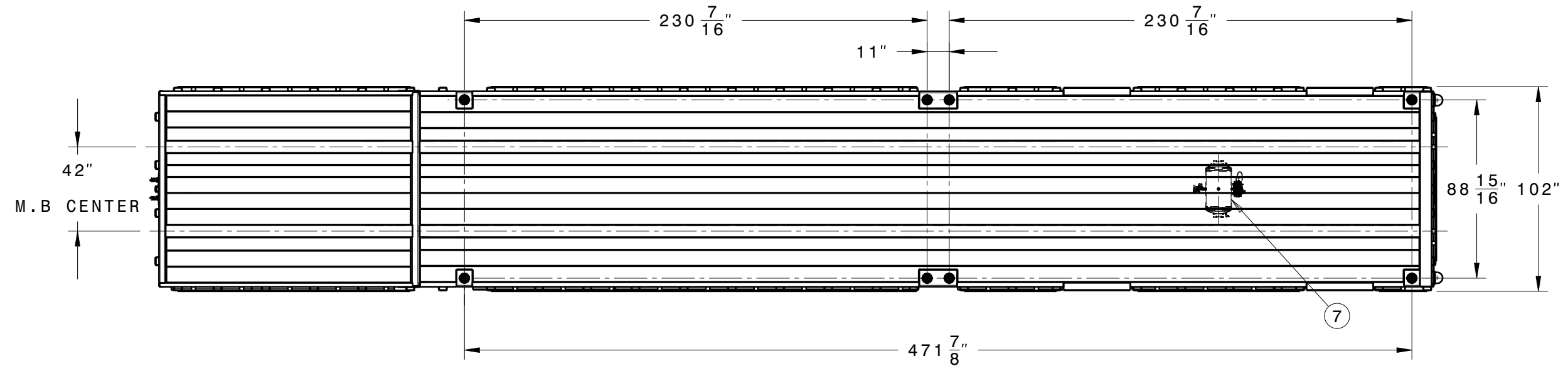
ISOMETRIC

DETAIL A
SCALE: 1/10

ITEM	PART NO	QTY	DESC	WT.EA	ET.EA
1	00325752	1	40T SINGLE DROP 2 AXLE FIXED NECK TRAILER STRUCTURE ASSEMBLY_H	9748.38	**
2	00288656	2	255/70R22.5-77.5in AXLE TRACK ALL STEEL_0	**	**
3	00337638	1	WOOD ASSEMBLY_B	**	**
4	00142059	1	5HOLE PATTERN LH_B(31-320)	**	**
5	00142060	1	5HOLE PATTERN RH_B(31-320)	**	**
6	00150153	1	LANDING LEG CROSS TUBE_3	5.62	**
7	00068818	1	13 INCH AIR TANK WITH 2S 1M ABS AND SPRING BRAKE VALVE_B	**	**
8	00038454	1	TOOLBOX 18 x 18 x 36_B	**	**
9	00085643	1	LICENSE PLATE_B	2.8	**
10	00085645	1	LICENSE PLATE LIGHT_B(33-382)	**	**
11	00085644	1	SLIMLINE IDENTIFICATION LIGHT BAR-THIRD BRAKE, 3 LED CONFIGURATION_B(33-403)	**	**
12	00288083	1	FRONT WIRING PLATE_1	2.24	**
13	00036400	2	MUD FLAP_B (36x364)	**	**
14	00004117	1	7 WAY SOCKET_B(33-362)	**	**
15	00272347	1	EMERGENCY GLADHANDLE RED_B(25-253)	**	**
16	00004123	1	SERVICE GLADHAND BLUE_B(25-256)	**	**
17	00278931	2	PROTECT O SEAL_B(25-254)	**	**

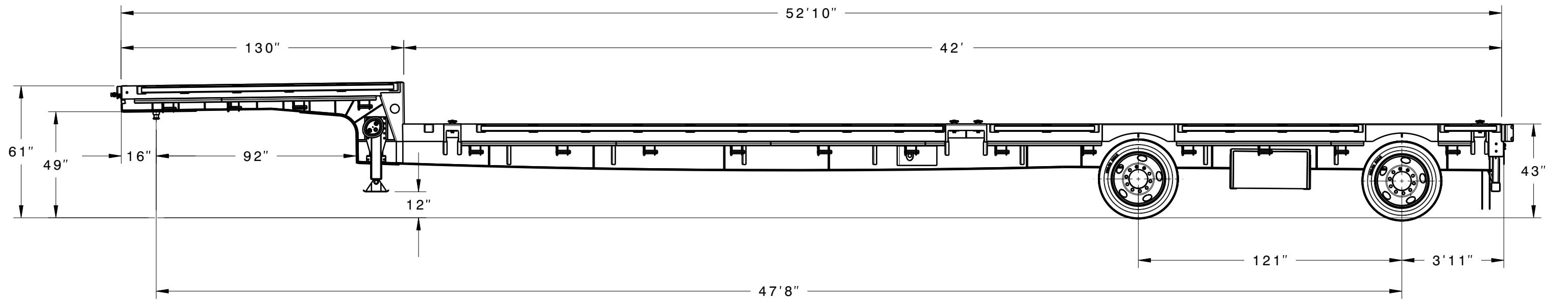
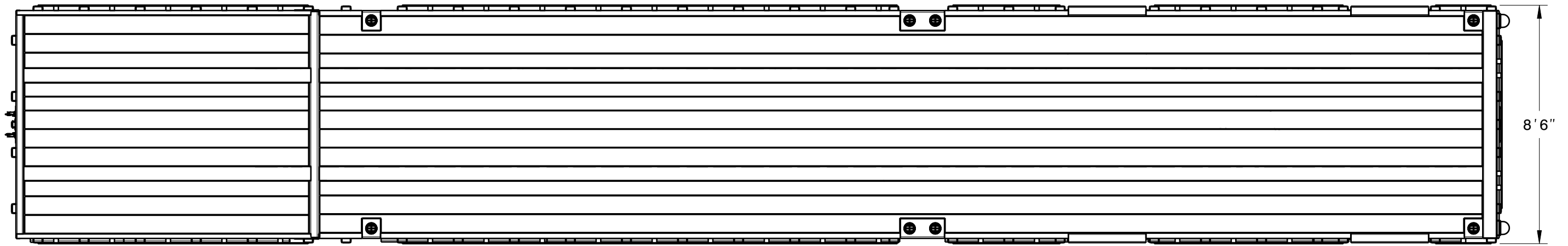
DESIGN CRITERIA	
TIRE SIZE	: 255/70R X 22.5 H
WHEEL SIZE	: 8.25 X 22.5 ALL STEEL
SUSPENSION	: -
AXLE TRACK	: 77-1/2"

DRAWN: SBT		DATE: 12-19-2017		ALL DIMENSIONS ARE IN INCHES UNLESS OTHERWISE SPECIFIED		MATERIAL:		WEIGHT: 9759.04 lb		GLOBE TRAILERS		TITLE: 170911-40T (GTFS402-53-42)_H	
STRESS:				TOLERANCES UNLESS OTHERWISE SPECIFIED: FRACTIONAL= +/-1/64 X.X=+/-0.1 X.XX=+/-0.01 X.XXX=+/-0.005 ANGLE=+/-0.5°		FINISH:						PARENTS: 170911	
CHECKED:						CAGE CODE:		SCALE: 1/50		SIZE: B		DWG NO. 00325594	
APPROVED:										THIS DRAWING IS INTENDED FOR REVIEW AND OR AUTHORIZATION PURPOSES ONLY AND MAY NOT BE DISCLOSED, REPRODUCED OR USED WITHOUT THE EXPRESS PERMISSION OF GLOBE TRAILERS		REV. A.1	
REV.	DESCRIPTION	BY	DATE									SHEET 1/3	



DETAIL B
SCALE: 1/20

DRAWN: SBT		DATE: 12-19-2017		ALL DIMENSIONS ARE IN INCHES UNLESS OTHERWISE SPECIFIED		MATERIAL:		WEIGHT: 9759.04 lb		GLOBE TRAILERS		TITLE: 170911-40T (GTFS402-53-42)_H	
STRESS:				TOLERANCES UNLESS OTHERWISE SPECIFIED: FRACTIONAL= +/-1/64 X.X=+/-0.1 X.XX=+/-0.01 X.XXX=+/-0.005 ANGLE=+/-0.5°		FINISH:							
CHECKED:						CAGE CODE:		SCALE: 1/60		SIZE: B		THIS DRAWING IS INTENDED FOR REVIEW AND OR AUTHORIZATION PURPOSES ONLY AND MAY NOT BE DISCLOSED, REPRODUCED OR USED WITHOUT THE EXPRESS PERMISSION OF GLOBE TRAILERS	
APPROVED:										PARENTS: 170911		DWG NO. 00325594	
A.1 INITIAL RELEASE		SBT 12-19-2017								REV. A.1		SHEET 2/3	
REV.	DESCRIPTION	BY	DATE										



DRAWN: SBT		DATE: 12-19-2017		ALL DIMENSIONS ARE IN INCHES UNLESS OTHERWISE SPECIFIED		MATERIAL:		WEIGHT: 9759.04 lb		GLOBE TRAILERS		TITLE: 170911-40T (GTFS402-53-42)_H		
STRESS:				TOLERANCES UNLESS OTHERWISE SPECIFIED: FRACTIONAL= +/-1/64 X.XX=+/-0.1 X.XXX=+/-0.005 ANGLE=+/-0.5°		FINISH:						PARENTS: 170911		
CHECKED:				APPROVED:		CAGE CODE:		SCALE: 1/45		SIZE: B		THIS DRAWING IS INTENDED FOR REVIEW AND OR AUTHORIZATION PURPOSES ONLY AND MAY NOT BE DISCLOSED, REPRODUCED OR USED WITHOUT THE EXPRESS PERMISSION OF GLOBE TRAILERS		
REV.	DESCRIPTION	BY	DATE									DWG NO.	REV.	SHEET
A.1	INITIAL RELEASE	SBT	12-19-2017									00325594	A.1	3/3