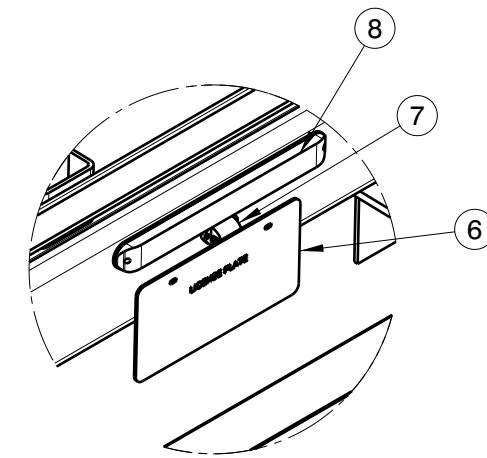
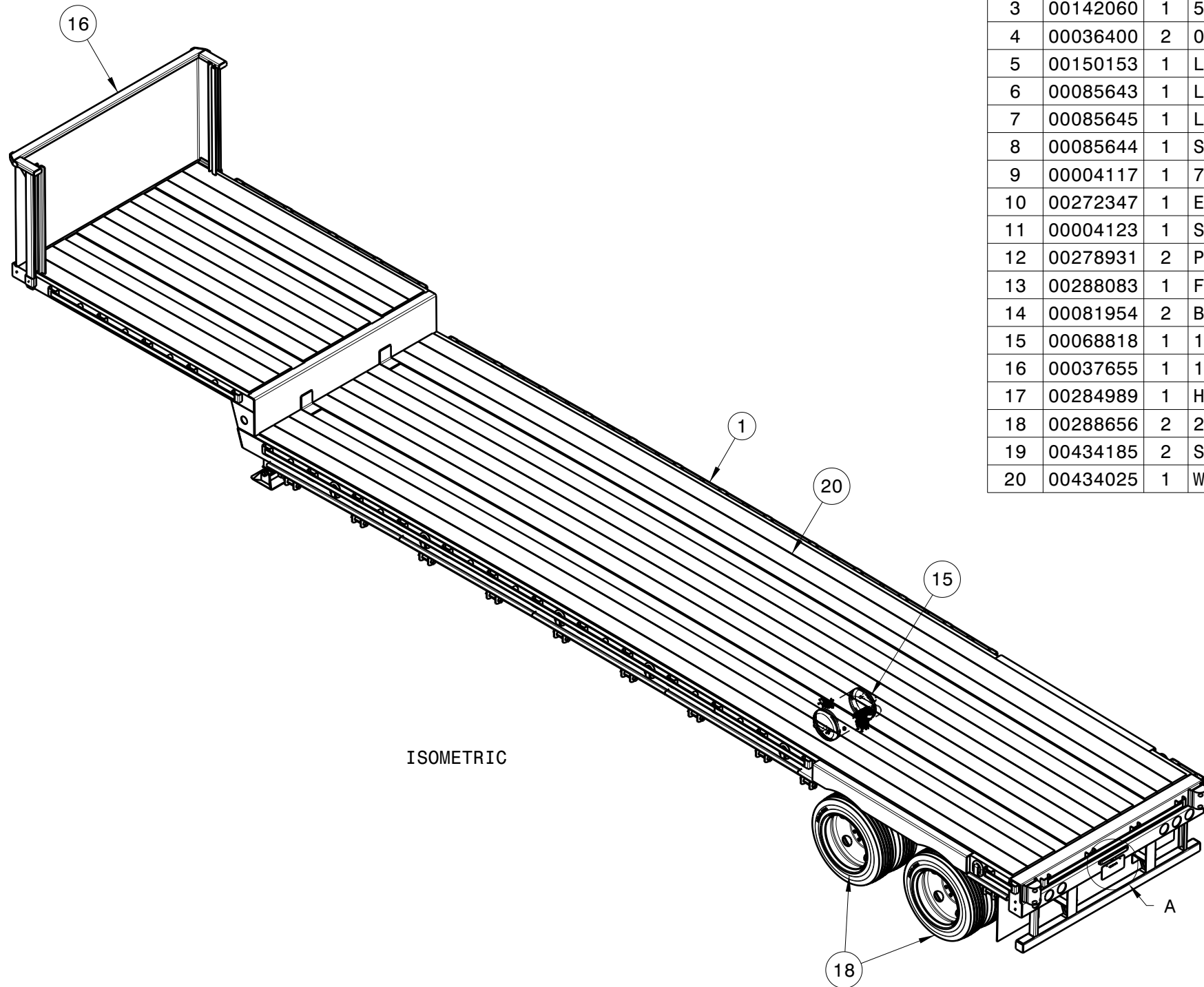
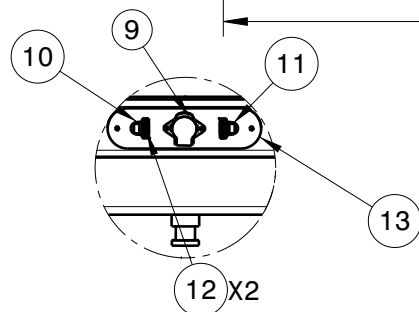
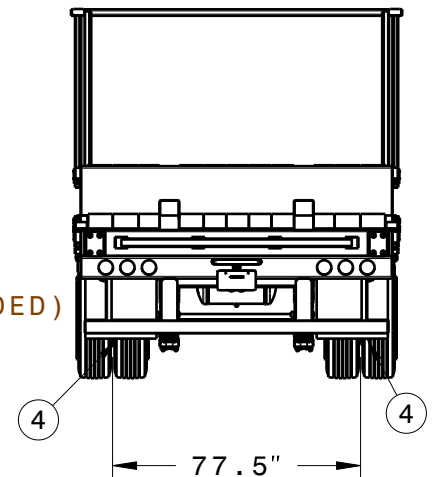
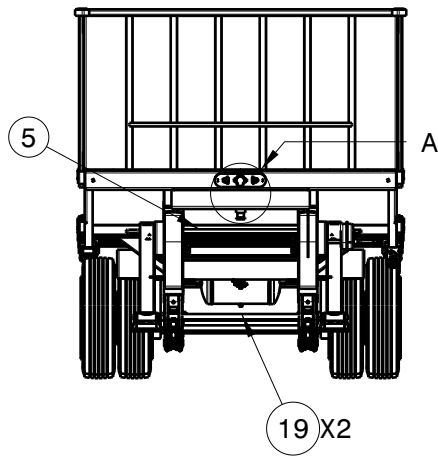
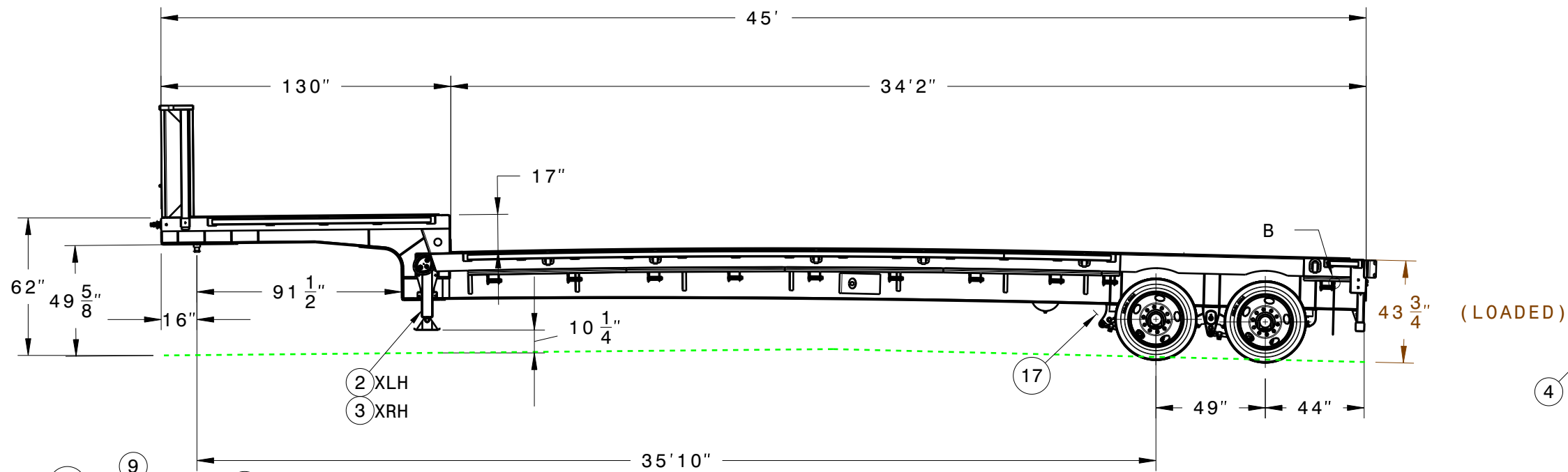
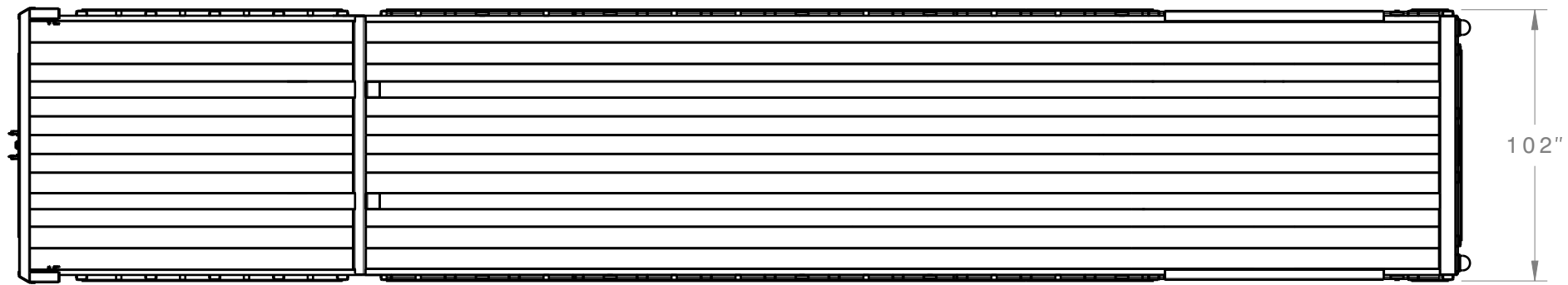


ITEM	PART NO	QTY	DESC	WT.EA	ET.EA
1	00434050	1	40T SINGLE DROP 2 AXLE FIXED NECK TRAILER STRUCTURE ASSEMBLY_H	8433.78	**
2	00142059	1	5HOLE PATTERN LH_B(31-320)	**	**
3	00142060	1	5HOLE PATTERN RH_B(31-320)	**	**
4	00036400	2	0.25in PLASTIC MUD FLAP WITH GLOBE LOGOx24inWIDEx24inLONG_B (36-364)	**	**
5	00150153	1	LANDING LEG CROSS TUBE_3	5.63	**
6	00085643	1	LICENSE PLATE_B	**	**
7	00085645	1	LICENSE PLATE LIGHT_B(33-382)	**	**
8	00085644	1	SLIMLINE IDENTIFICATION LIGHT BAR_B(33-403)	**	**
9	00004117	1	7 WAY SOCKET_B(33-362)	**	**
10	00272347	1	EMERGENCY GLADHANDLE RED_B(25-253)	**	**
11	00004123	1	SERVICE GLADHAND BLUE_B(25-256)	**	**
12	00278931	2	PROTECT O SEAL_B(25-254)	**	**
13	00288083	1	FRONT WIRING PLATE_1	2.24	**
14	00081954	2	BOLT-ON MUDFLAP BRACKET_16	1.32	2.64
15	00068818	1	13 INCH AIR TANK WITH 2S 1M ABS AND SPRING BRAKE VALVE_B	**	**
16	00037655	1	102INCH WIDTH BULKHEAD ASSEMBLY_B	**	**
17	00284989	1	H9700 49 WITH 365-00 77.5 AXLE TRACK_0	**	**
18	00288656	2	255/70R22.5-77.5in AXLE TRACK ALL STEEL_0	**	**
19	00434185	2	SUSPENSION TUBE_2	8.78	17.56
20	00434025	1	WOOD ASSEMBLY_B	**	**

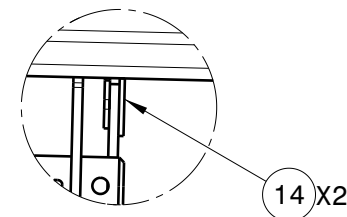


DESIGN CRITERIA	
TIRE SIZE	: 255/70R X 22.5 H
WHEEL SIZE	: 8.25 X 22.5 ALL STEEL
SUSPENSION	: H9700 49 WITH 365-00 77.5 AXLE TRACK
AXLE TRACK	: 77-1/2"

REV.	DESCRIPTION	BY	DATE	DRAWN:	DATE:	ALL DIMENSIONS ARE IN INCHES UNLESS OTHERWISE SPECIFIED	MATERIAL:	WEIGHT:	GLOBE TRAILERS		TITLE:	180533-40-TON FIXED NECK (GTFS402-45-35)_H	PARENTS:	DWG NO.	REV.	SHEET
				STRESS:	07-03-2018	TOLERANCES UNLESS OTHERWISE SPECIFIED:	FINISH:	9583.97 lb								
A.1	INITIAL RELEASE		07-03-2018	CHECKED:		FRACTIONAL= +/- 1/64										
				APPROVED:		X.X=+/- 0.1 X.XX=+/- 0.01 X.XXX=+/- 0.005 ANGLE=+/- 0.5°	CAGE CODE:	SCALE: 1/50			SIZE: B					

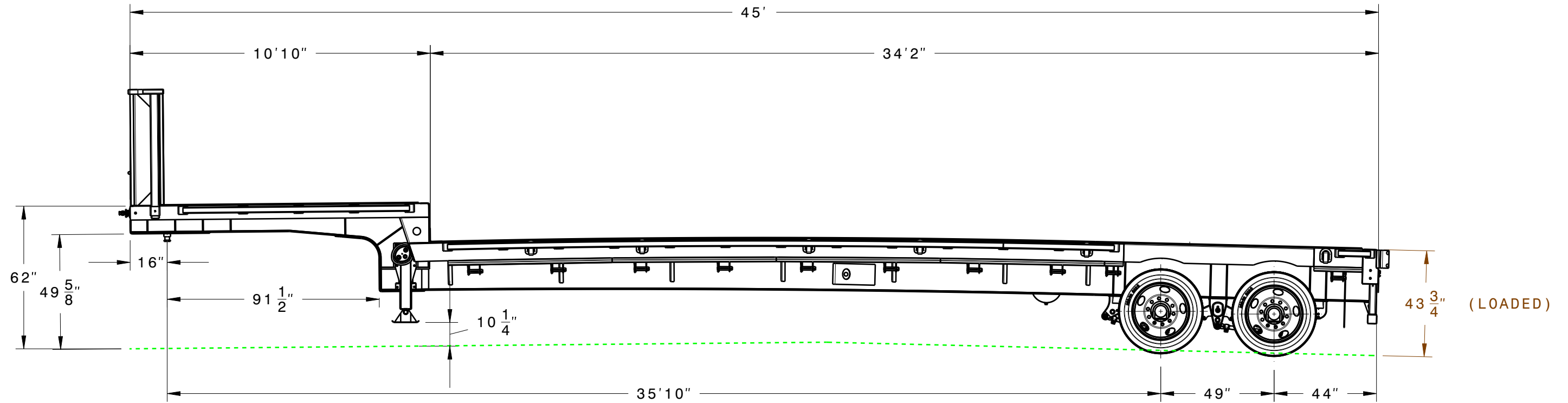
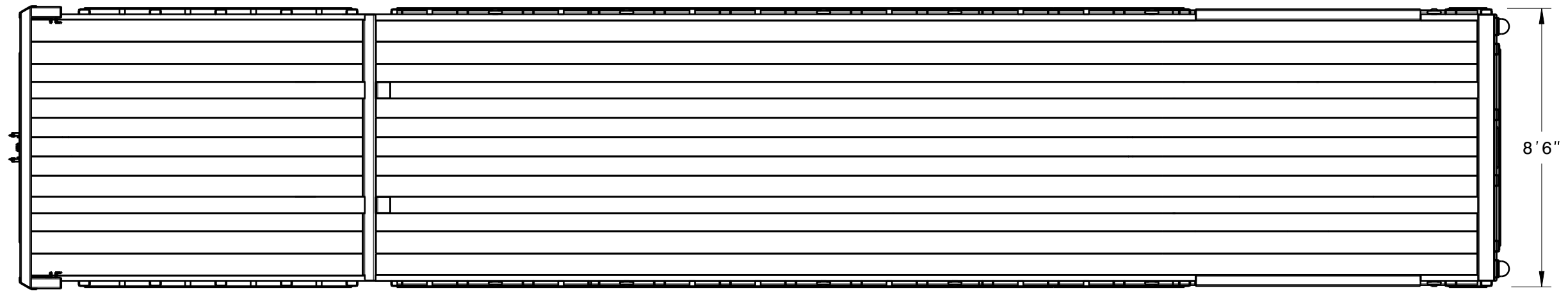


DETAIL A
SCALE: 1/20



DETAIL B
SCALE: 1/5

DRAWN:		DATE: 07-03-2018		ALL DIMENSIONS ARE IN INCHES UNLESS OTHERWISE SPECIFIED		MATERIAL:		WEIGHT: 9583.97 lb		GLOBE TRAILERS		TITLE: 180533-40-TON FIXED NECK (GTFS402-45-35)_H	
STRESS:				TOLERANCES UNLESS OTHERWISE SPECIFIED:		FINISH:							
CHECKED:				FRACTIONAL= +/-1/64						THIS DRAWING IS INTENDED FOR REVIEW AND OR AUTHORIZATION PURPOSES ONLY AND MAY NOT BE DISCLOSED, REPRODUCED OR USED WITHOUT THE EXPRESS PERMISSION OF GLOBE TRAILERS		PARENTS:	
APPROVED:				X.X=+/-0.1		CAGE CODE:		SCALE: 1/60				SIZE: B	
REV.	DESCRIPTION	BY	DATE	APPROVED:		ANGLE=+/-0.5°						DWG NO. 00434028	
A.1	INITIAL RELEASE		07-03-2018									REV. A.1 SHEET 2/3	



NOTE:
ALL DIMENSIONS ARE NOMINAL (+/- 3")

DRAWN:		DATE:		ALL DIMENSIONS ARE IN INCHES UNLESS OTHERWISE SPECIFIED		MATERIAL:		WEIGHT:		GLOBE TRAILERS		TITLE:	
STRESS:		07-03-2018		TOLERANCES UNLESS OTHERWISE SPECIFIED:		FINISH:		9583.97 lb				180533-40-TON FIXED NECK (GTFS402-45-35)_H	
CHECKED:				FRACTIONAL= +/- 1/64								PARENTS:	
APPROVED:		BY		DATE		X.X=+/- 0.1		CAGE CODE:		SCALE:		180533	
REV. DESCRIPTION						X.XX=+/- 0.01		SCALE: 1/45		SIZE: B		DWG NO. 00434028	
A.1 INITIAL RELEASE				07-03-2018		X.XXX=+/- 0.005				THIS DRAWING IS INTENDED FOR REVIEW AND OR AUTHORIZATION PURPOSES ONLY AND MAY NOT BE DISCLOSED, REPRODUCED OR USED WITHOUT THE EXPRESS PERMISSION OF GLOBE TRAILERS		REV. A.1	
						ANGLE=+/- 0.5°						SHEET 3/3	