

ISOMETRIC

ITEM	PART NO.	QTY	DESC	WT.EA	ET.EA
1	00443980	1	M871A3 STRUCTURE ASSEMBLY_H	9960.72	**
2	00376406	2	255/70R22.5-71.5in AXLE TRACK ALL STEEL_B	**	**
3	00443997	1	71.5 AXLE_B	**	**
4	00447556	1	WOOD_B	**	**
5	00451866	1	5HOLE PATTERN 19IN TRAVEL LANDING LEG RH_B(GPN REQUIRED)	**	**
6	00447952	1	96INCH WIDTH BULKHEAD ASSEMBLY_B	**	**
7	00448032	1	STOWAGE RACK ASSLY LH_H	49.66	**
8	00456575	1	STOWAGE RACK ASSLY RH_H	49.66	**
9	00448036	1	5HOLE PATTERN 19IN TRAVEL LANDING LEG LH_B(GPN REQUIRED)	**	**
10	00448043	1	SINGLE PAINT SPRING SUSPENSION -10133_B	**	**
11	00448757	2	FLOAT PAD ASSLY_H	38.36	76.72
12	00036400	2	0.25in PLASTIC MUD FLAP WITH GLOBE LOGOx24inWIDEx24inLONG_B (36-364)	**	**
13	00081954	2	BOLT-ON MUDFLAP BRACKET_16	1.32	2.64
14	00001476	11	TRUCK LITE 07406_B	**	**
15	00449027	1	BOLT ON TOOLBOX M871A3_H	249.23	**
16	00001469	2	ASTRO-TEX M-7265_B	**	**
17	00449205	1	CHAIN_B	**	**
18	00376405	1	WELDED SPARE TIRE CARRIER ASSEMBLY_H	42.83	**
19	00068826	1	13 INCH AIR TANK WITH 4S-2M ABS_B	**	**
20	00456574	2	LANDING LEG FOOT ASSLY_H	**	**
21	00456825	1	STAKES AND PANELS ASSEMBLY_B	**	**

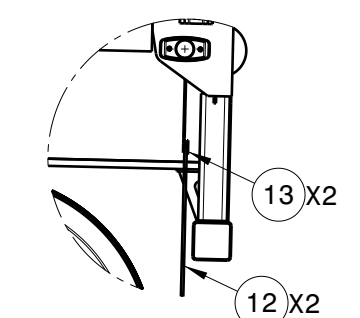
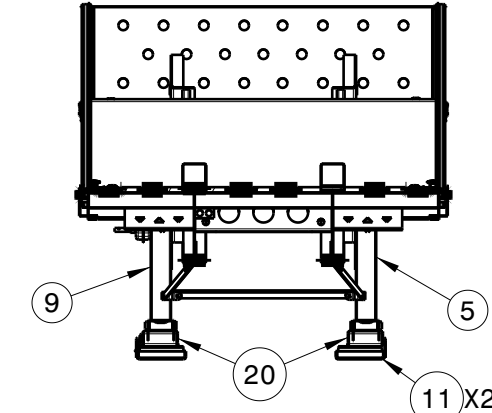
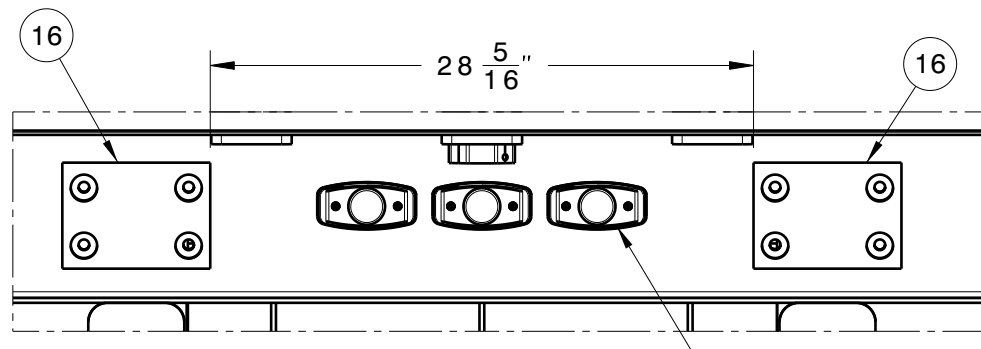
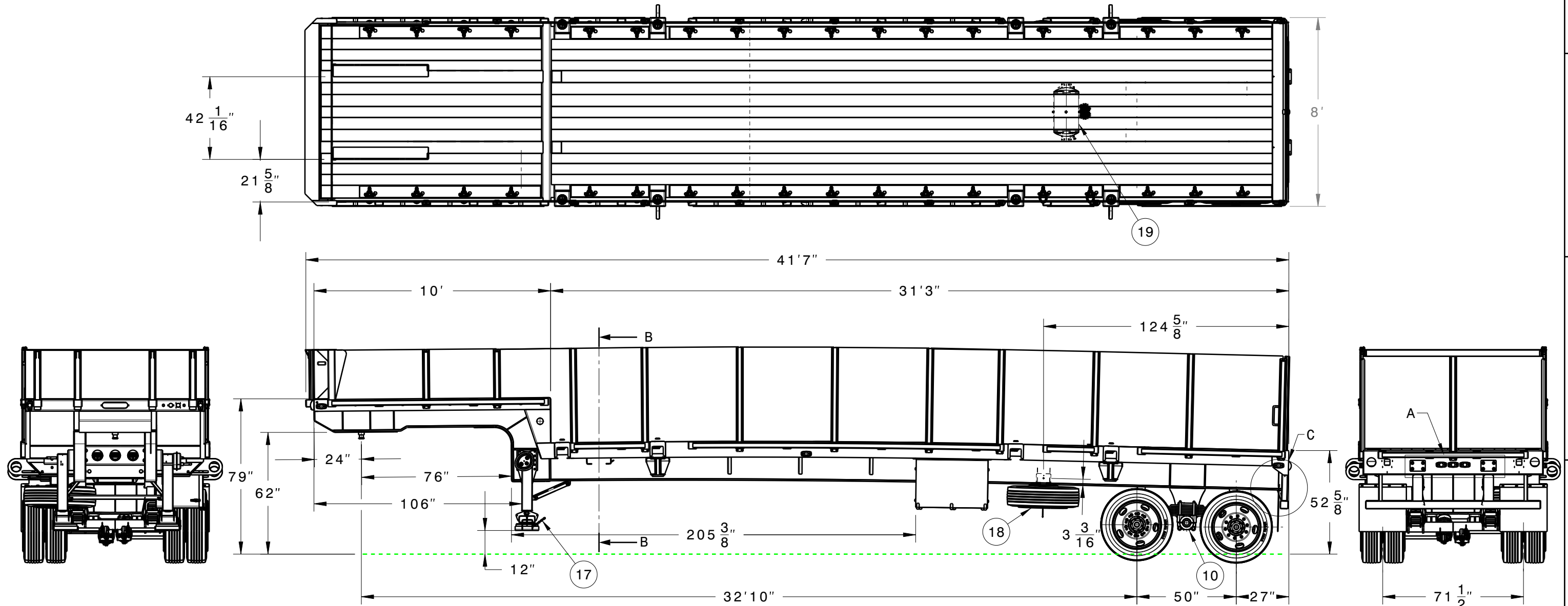
DESIGN CRITERIA

TIRE SIZE : 255/70R X 22.5 H
 WHEEL SIZE : 8.25 X 22.5 ALL STEEL
 SUSPENSION : SINGLE POINT SUSPENSION
 AXLE TRACK : 71-1/2"

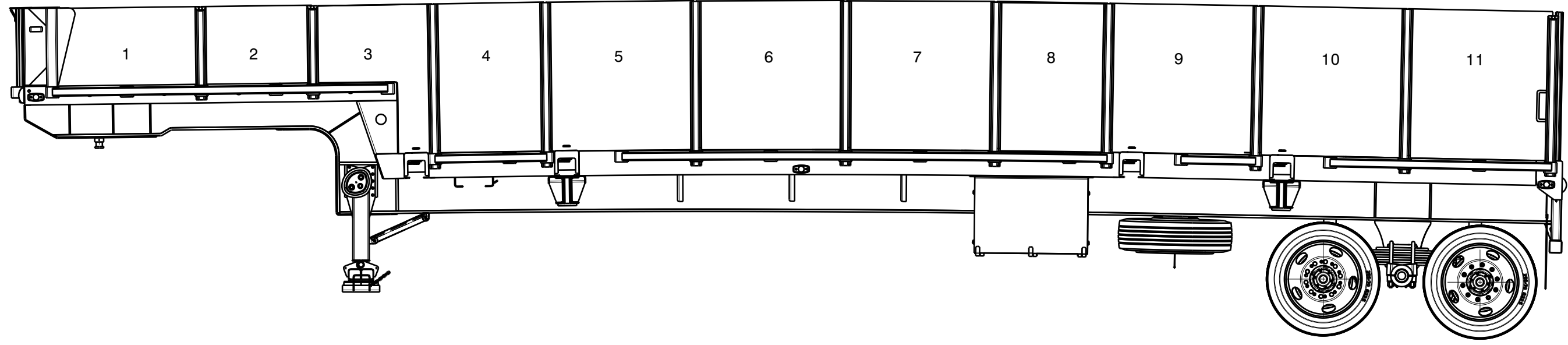
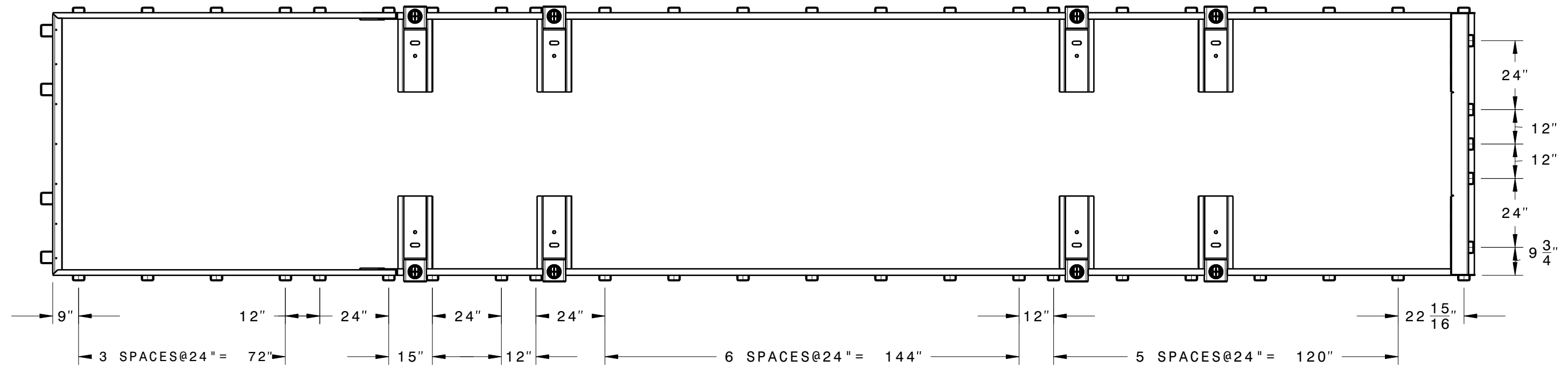
DRAWN: CS		DATE: 08-24-2018		ALL DIMENSIONS ARE IN INCHES UNLESS OTHERWISE SPECIFIED		MATERIAL:		WEIGHT: 10431 lb		GLOBE TRAILERS		TITLE: 180527-22.5 Ton M871A3(GTFS22.52-43)_H	
STRESS:				TOLERANCES UNLESS OTHERWISE SPECIFIED: FRACTIONAL= +/-1/64 X.X=+/-0.1 X.XX=+/-0.01 X.XXX=+/-0.005 ANGLE=+/-0.5°		FINISH:						THIS DRAWING IS INTENDED FOR REVIEW AND OR AUTHORIZATION PURPOSES ONLY AND MAY NOT BE DISCLOSED, REPRODUCED OR USED WITHOUT THE EXPRESS PERMISSION OF GLOBE TRAILERS	
CHECKED:						CAGE CODE:		SCALE: 1/60		SIZE: B		DWG NO. 00443946	
APPROVED:												REV. A.1	
A.1 INITIAL RELEASE		CS		08-24-2018								SHEET 1/4	
REV.	DESCRIPTION	BY	DATE										

F

A



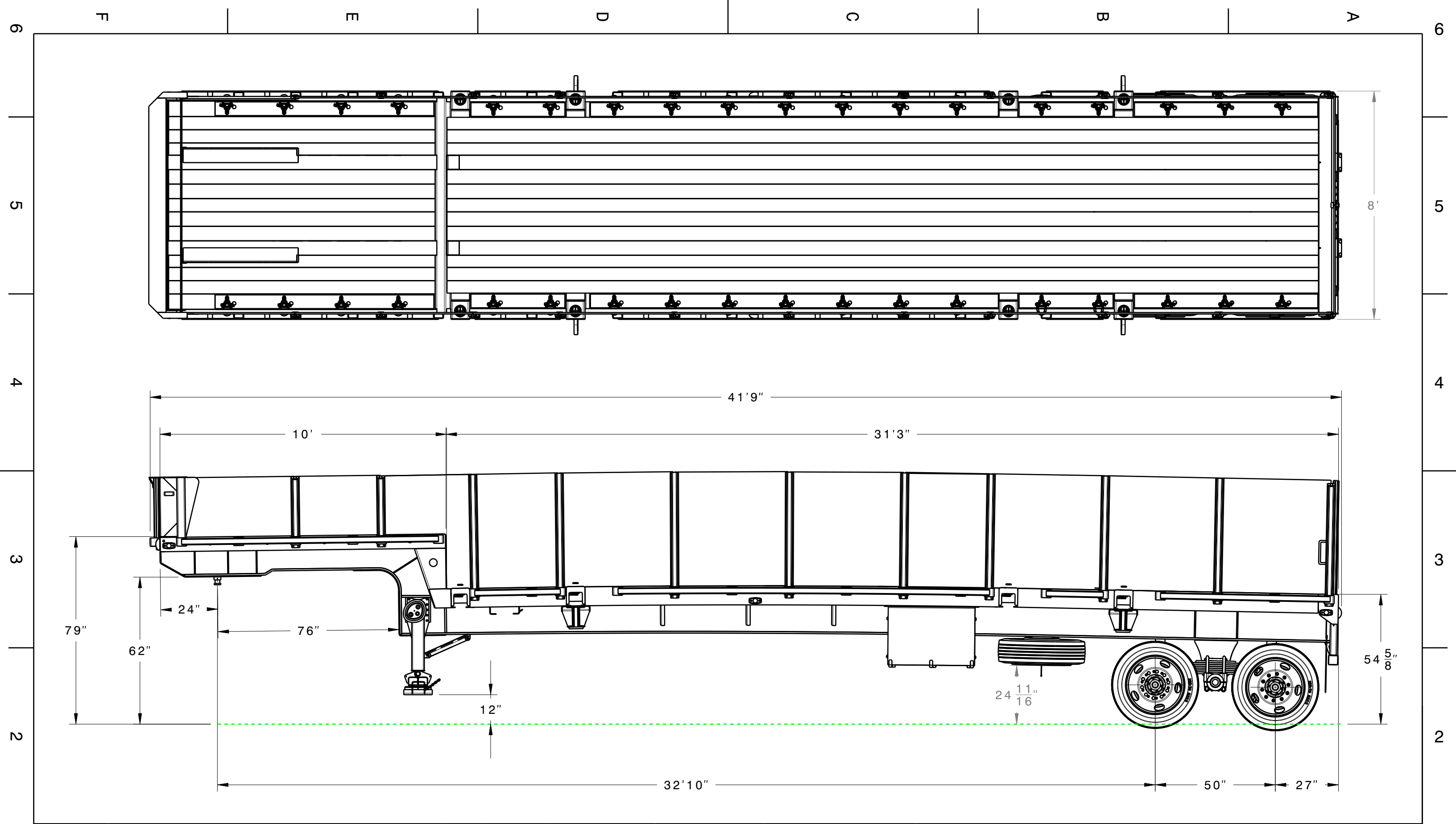
DRAWN: CS		DATE: 08-24-2018		ALL DIMENSIONS ARE IN INCHES UNLESS OTHERWISE SPECIFIED		MATERIAL: 10431 lb		TITLE: 180527-22.5 Ton M871A3(GTFS22.52-43)_H	
STRESS:				TOLERANCES UNLESS OTHERWISE SPECIFIED:		FINISH:		PARENTS: 180527	
CHECKED:				FRACTIONAL= +/- 1/64		SCALE: 1/50		DWG NO. 00443946	
APPROVED:		CS 08-24-2018		X.X=+/- 0.1		SIZE: B		REV. A.1	
REV.	DESCRIPTION	BY	DATE	X.XX=+/- 0.01		CAGE CODE:		SHEET 2/4	
A.1	INITIAL RELEASE	CS	08-24-2018	X.XXX=+/- 0.005		THIS DRAWING IS INTENDED FOR REVIEW AND OR AUTHORIZATION PURPOSES ONLY AND MAY NOT BE DISCLOSED, REPRODUCED OR USED WITHOUT THE EXPRESS PERMISSION OF GLOBE TRAILERS		A	
				ANGLE=+/- 0.5°					



				DRAWN: CS	DATE: 08-24-2018	ALL DIMENSIONS ARE IN INCHES UNLESS OTHERWISE SPECIFIED TOLERANCES UNLESS OTHERWISE SPECIFIED: FRACTIONAL= +/-1/64 X.XX=+/-0.1 X.XXX=+/-0.005 ANGLE=+/-0.5°	MATERIAL:	WEIGHT: 10431 lb	GLOBE TRAILERS THIS DRAWING IS INTENDED FOR REVIEW AND OR AUTHORIZATION PURPOSES ONLY AND MAY NOT BE DISCLOSED, REPRODUCED OR USED WITHOUT THE EXPRESS PERMISSION OF GLOBE TRAILERS	TITLE: 180527-22.5 Ton M871A3(GTFS22.52-43)_H		
				STRESS:			FINISH:			PARENTS: 180527		DWG NO. 00443946
				CHECKED:						REV. A.1		SHEET 3/4
A.1	INITIAL RELEASE	CS	08-24-2018	APPROVED:				SCALE: 1/60		SIZE: B		
REV.	DESCRIPTION	BY	DATE				CAGE CODE:					

F

A



DRAWN: CS		DATE: 08-24-2018		ALL DIMENSIONS ARE IN INCHES UNLESS OTHERWISE SPECIFIED		MATERIAL: CS		WEIGHT: 10431 lb		TITLE: 180527-22.5 Ton M871A3(GTFS22.52-43)_H	
STRESS:				TOLERANCES UNLESS OTHERWISE SPECIFIED:		FINISH:				PARENTS: 180527	
CHECKED:				FRACTIONAL= +/- 1/64						DWG NO. 00443946	
APPROVED:				X.X=+/- 0.1		CAGE CODE:		SCALE: 1/36		REV. A.1	
BY CS		DATE 08-24-2018		X.XX=+/- 0.01		SIZE: B		THIS DRAWING IS INTENDED FOR REVIEW AND OR AUTHORIZATION PURPOSES ONLY AND MAY NOT BE DISCLOSED, REPRODUCED OR USED WITHOUT THE EXPRESS PERMISSION OF GLOBE TRAILERS		SHEET 4/4	
REV. DESCRIPTION				X.XXX=+/- 0.005						A	
A.1 INITIAL RELEASE				ANGLE=+/- 0.5°							